

**DS CODE:
500207**

LS Simple™ Cabling Solution

LS Shielded RJ45 Modular Plug

➤ Description

LS Simple™ Shielded Modular Plug (8P8C RJ45) has compatibility with shielded cable in various form, and offers superior system characteristics by complying with the specification of CFR title 47 part 68.5. Also It ensures the high-reliability in assembly process by offering the Wire Guider and Transparent Boot Accessory.



➤ Application

- For Patch Cord & Equipment Cord Assembly
- 4/16 Mbps Token Ring (IEEE 802.5)
- 10/100/1000BASE-T (IEEE 802.3)
- 155 Mbps ATM
- 100Mbps TP-PMD
- ISDN, ADSL
- Analog & Digital voice (VoIP) and video
- Full broadband and baseband video

➤ Product Code

Description	Product Code	Compatibility Criteria
8P8C RJ45 Shielded Modular Plug, Insulation Wire Guider and Transparent Boot are included. Complies with CFR title 47 part 68.5	LS-MP-SC-RJ45-TR-D1	- Insulation diameter : 0.9~1.1mm - Cable diameter : 7.5±0.5mm * LS SF/UTP C5e Cable
	LS-MP-SC-RJ45-TR-B1	- Insulation diameter : 1.0~1.2mm - Cable diameter : 7.5±0.5mm * LS SF/UTP C6 Cable
	LS-MP-SC-RJ45-TR-B2	- Insulation diameter: 1.3~1.5mm - Cable diameter : 8.5±0.5mm * LS S/FTP (Individual pair foiled) Cable

**DS CODE:
500207**

LS Simple™ Cabling Solution

LS Shielded RJ45 Modular Plug

➤ Technical Details

Item	Unit	Specification
FEATURE		
Approvals		UL
Category		ANSI/TIA-568-C.2 (Category 5e~7)
Wiring scheme		CFR title 47 part 68.5 and IEC 60603-7
Configuration		T568A/T568B
ELECTRICAL		
Rated Voltage	VAC max	250V AC max. at 2A
Insulation Resistance	Mega-ohm	> 500
Contact Resistance	milli-ohm	< 20
Dielectric Strength	V _{AC} (RMS)	1000
MECHANICAL		
Insertion Life	Mating cycles	2000
Pull Force(Cable to Plug)	lbs(N)	20 (89)
Temperature	°C	-40 ~ 125
Humidity	% (RH)	10 ~ 90
Allowable Insulation Diameter	mm	Refer to the standard on page 1
Allowable Cable Diameter	mm	Refer to the standard on page 1
PHYSICAL		
Plug Housing, Insulation Wire Guider, Separator		Transparent High-impact Polycarbonate (PC), UL 94V-2 rated
Contact Blade		3-prong IDC Structure, High Reliability
Overall Shield		SUS
Boot		Transparent Polyvinyl Chloride (PVC), UL 94 V-2 rated

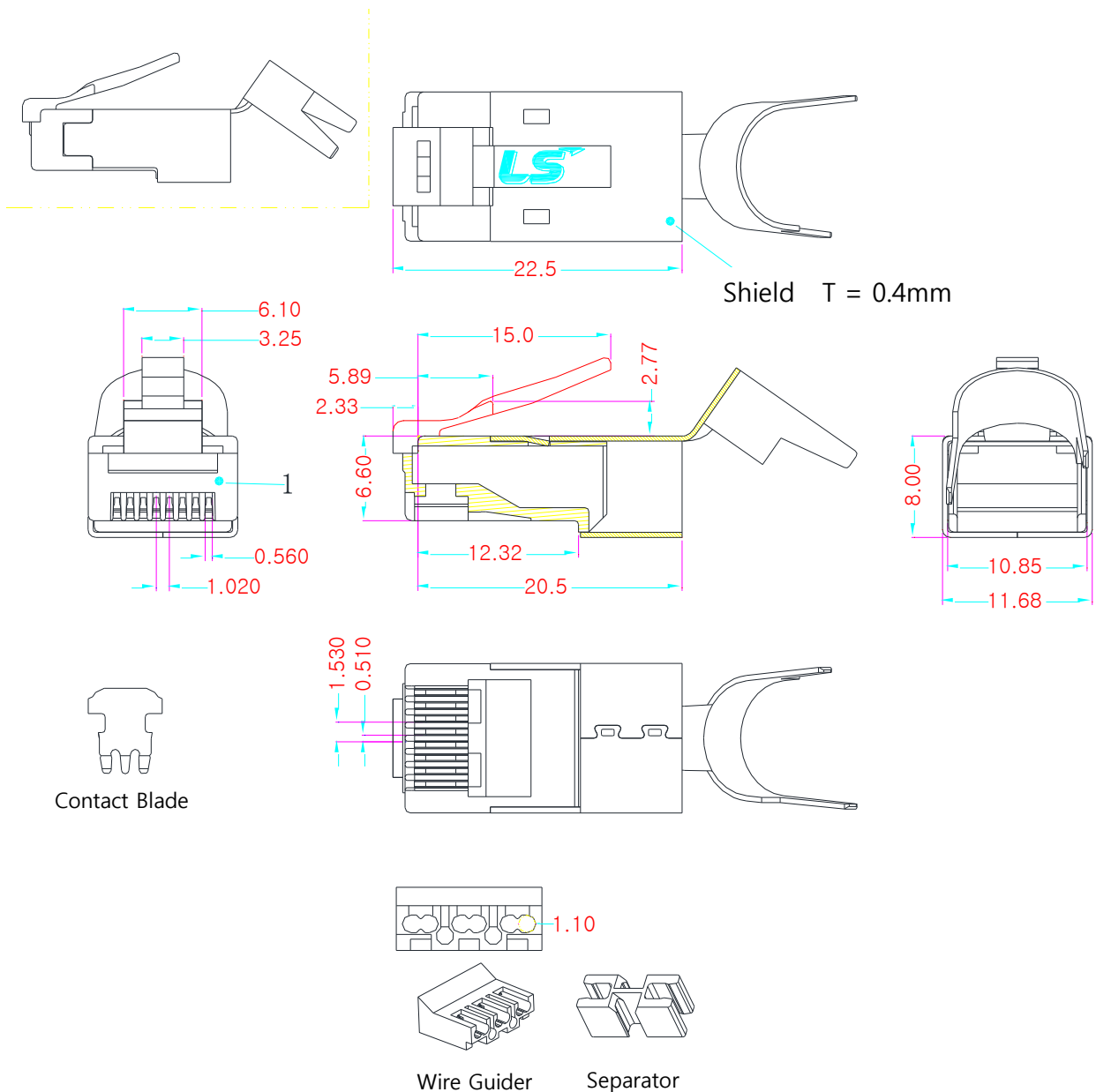
DS CODE:
500207

LS Simple™ Cabling Solution

LS Shielded RJ45 Modular Plug

➤ Drawing

P/N : LS-MP-SC-RJ45-TR-D1



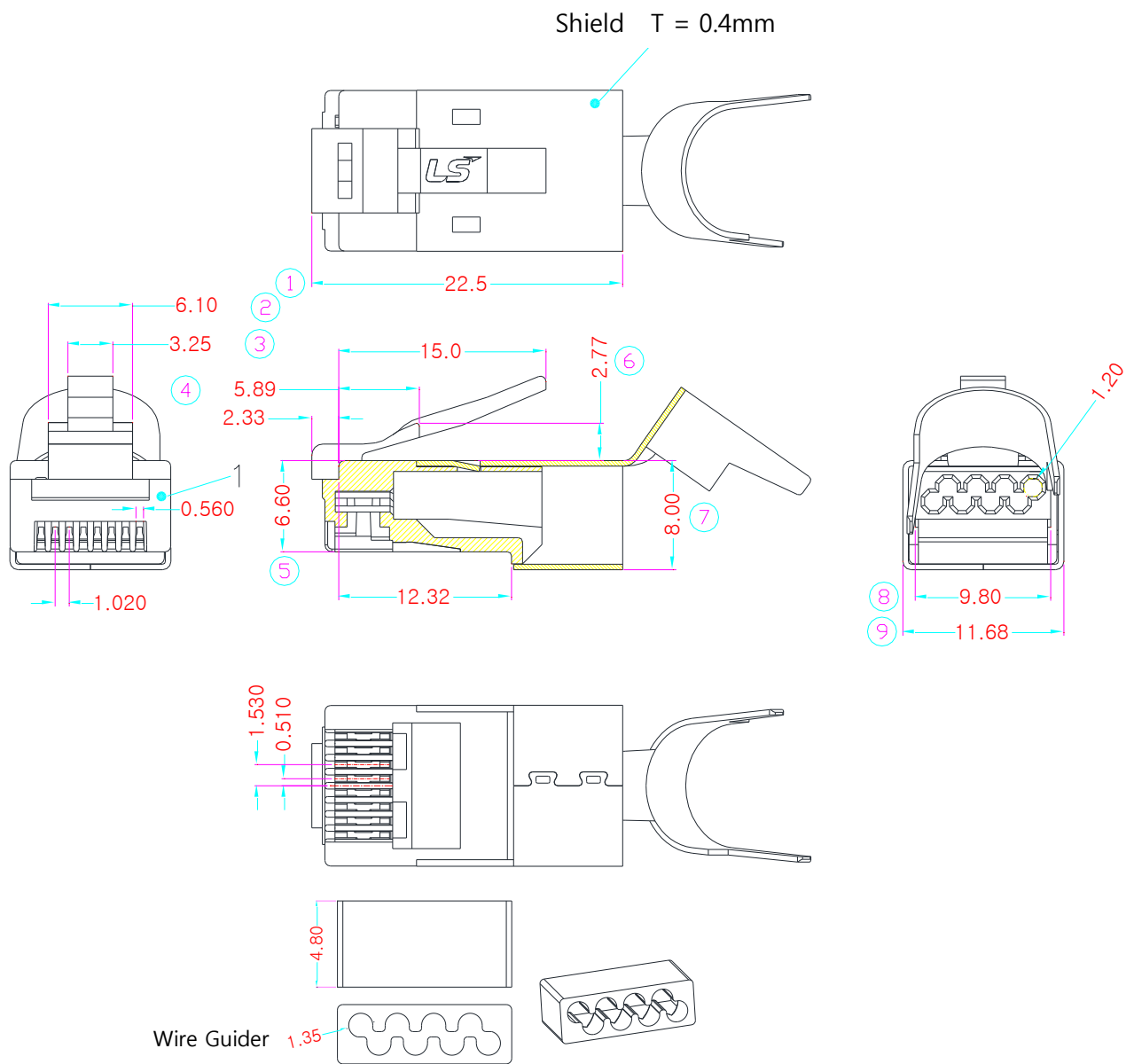
DS CODE:
500207

LS Simple™ Cabling Solution

LS Shielded RJ45 Modular Plug

➤ Drawing

P/N : LS-MP-SC-RJ45-TR-B1



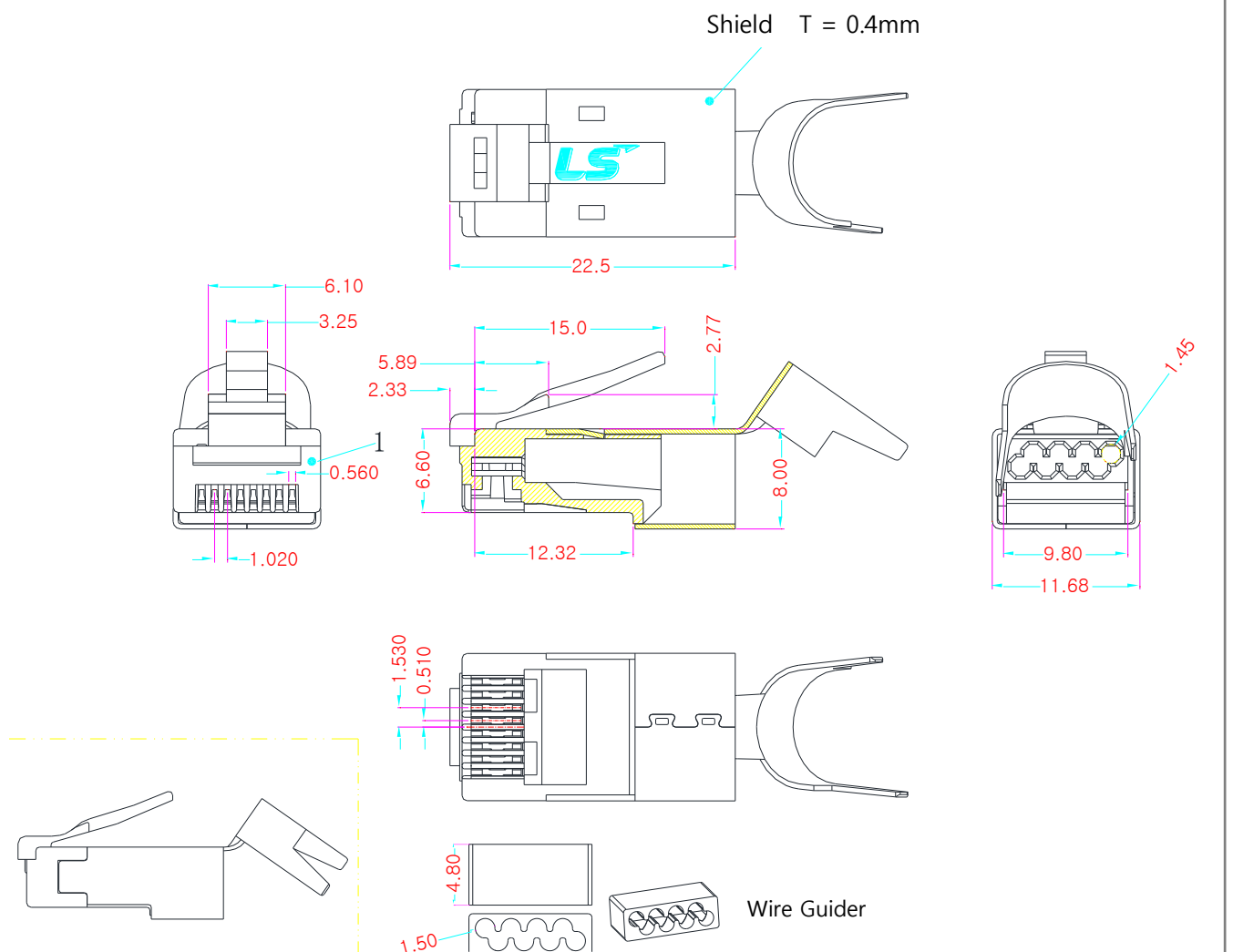
DS CODE:
500207

LS Simple™ Cabling Solution

LS Shielded RJ45 Modular Plug

➤ Drawing

P/N : LS-MP-SC-RJ45-TR-B2



**DS CODE:
500207**

LS Simple™ Cabling Solution

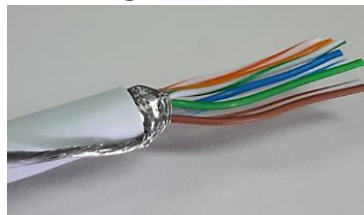
LS Shielded RJ45 Modular Plug

➤ Reference) Installation Manual

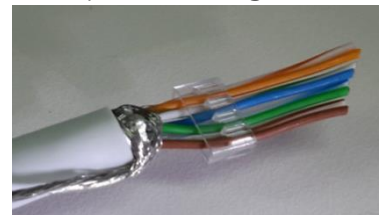
1. Insert the boot first, then strip off the sheath about 30mm.



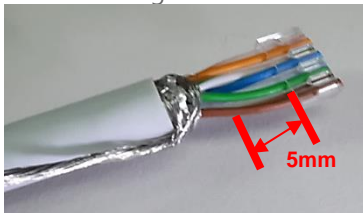
2. Put the Drain Wire or Braid to the backside of the cable after twisting, and untwist the twisted pairs for inserting the wire guider.



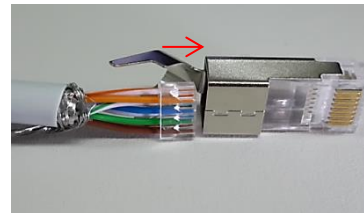
3. Arrange the insulation wire based on T568 wiring scheme and cut it as diagonal line for easy assembly. Then put it into the guider.



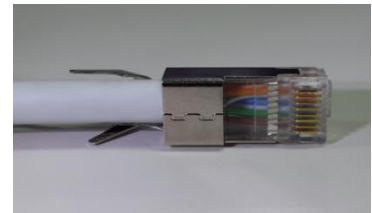
4. Left the insulation wire about 5mm at the backside of the guider, and cut out the insulation wire which extended out from the front side of the guider.



5. Push the arranged wire into the inside of the Plug Housing. (Guider should not be caught in the inner side of the Plug Housing.)



6. Push the guide until it reach to the exact end of the IDC Contact of the Plug Housing.



7. Check again about the insertion of insulation wire through the frontside of the plug.



8. After IDC connect with Crimping Tool, wrap up the metal wing on the backside of Plug Housing with Drain Wire or Braid for grounding.



9. Complete the plug assembly by covering the Transparent Boot on the Plug Housing. Check if the plug assembly meets T568 wiring scheme.

