

DS CODE:
DS60010

LS Simple™ LED Port Tracking Cabling

Description

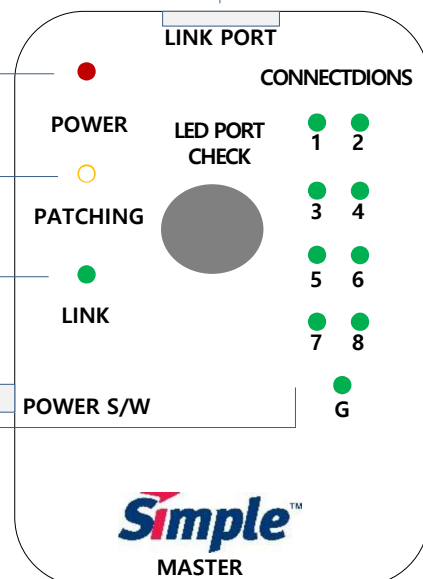
LS Simple™ LED RJ45 Tester can easily check the horizontal cabling and patching status of telecommunication Room remotely as well as it can easily find the port location of TR(Telecommunication Room) by using LED modular jack panel.

Feature

- Possible to port tracking in TR by LED lighting of Jack
- Possible to checking patching status of TR's panel remotely
- Possible to operate cabling status by worker alone
- Additionally, Support the wire map function with Slave equipment

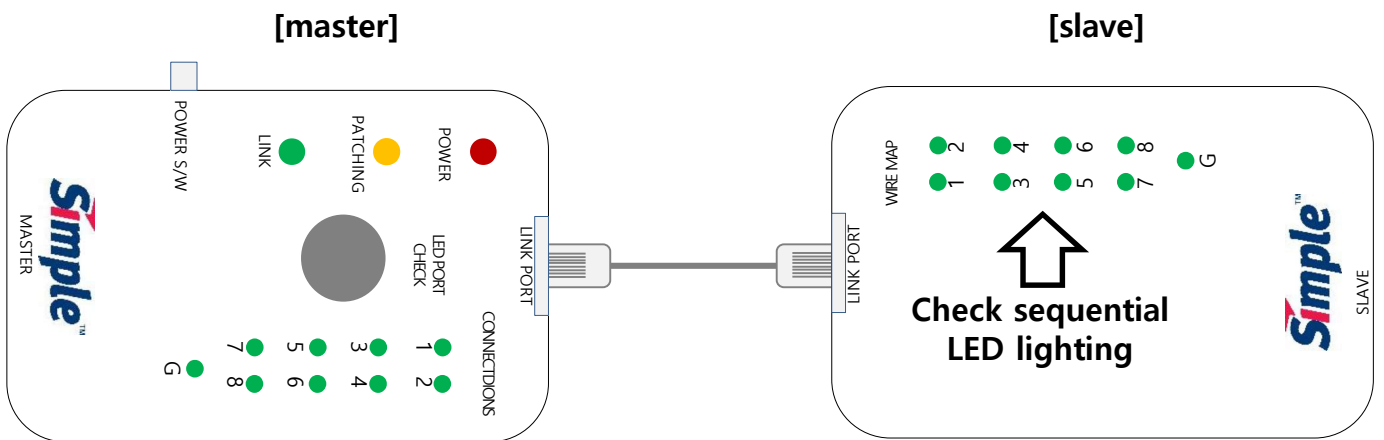
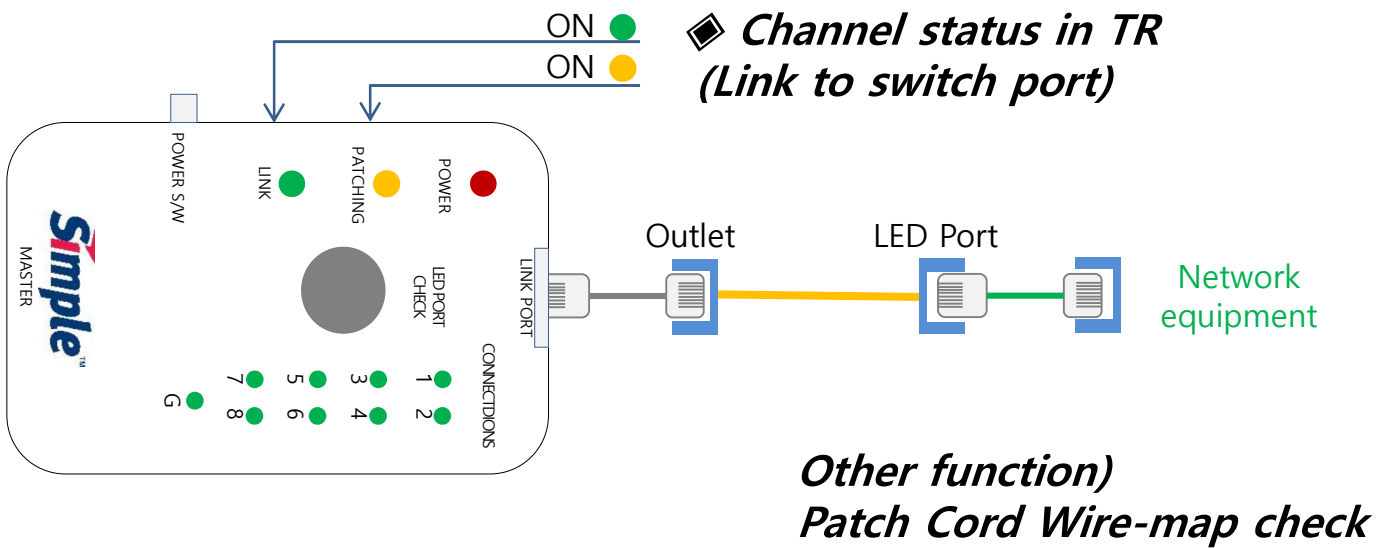
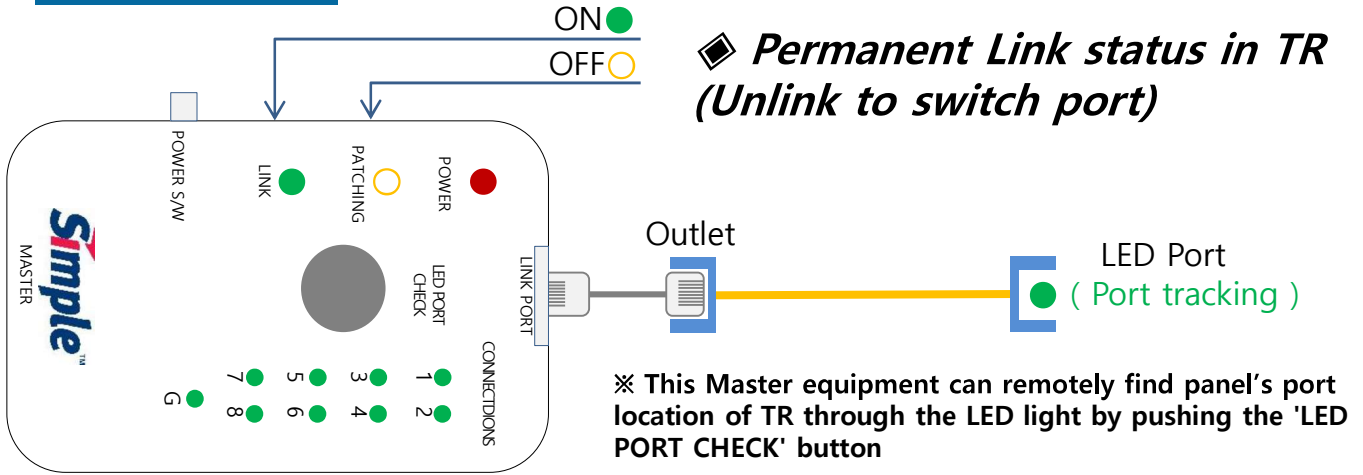
Functions

- RJ45 Link port , connection with P/Cord
- Power status LED
- Connected with Switch in TR
- Connected with Panel in TR only
- Power On/Off
- Wire Map with Slave equipment



DS CODE:
DS60010

LS Simple™ LED Port Tracking Cabling



- ※ You can check the wire-map status by connecting master and slave with test sample and sequential LED lighting from slave
- ※ Generally available for 4 to 20 hours