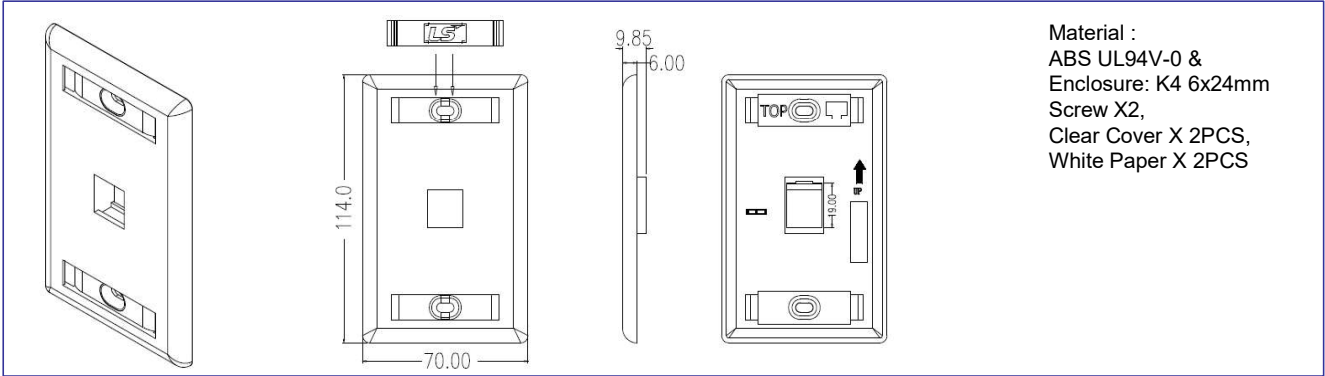


DS CODE:  
**5001**

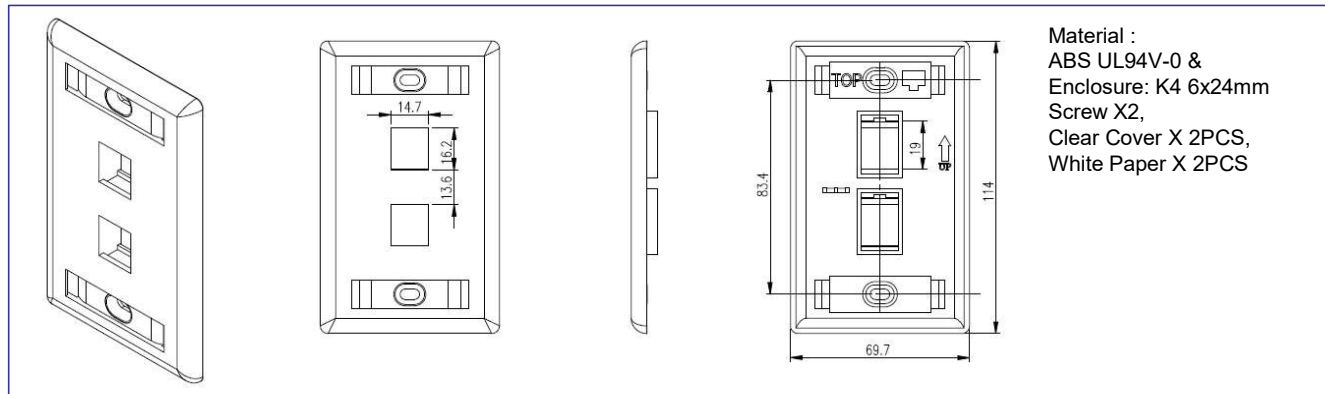
# LS Simple™ Outlet Solution

## US type Single Gang Face Plate



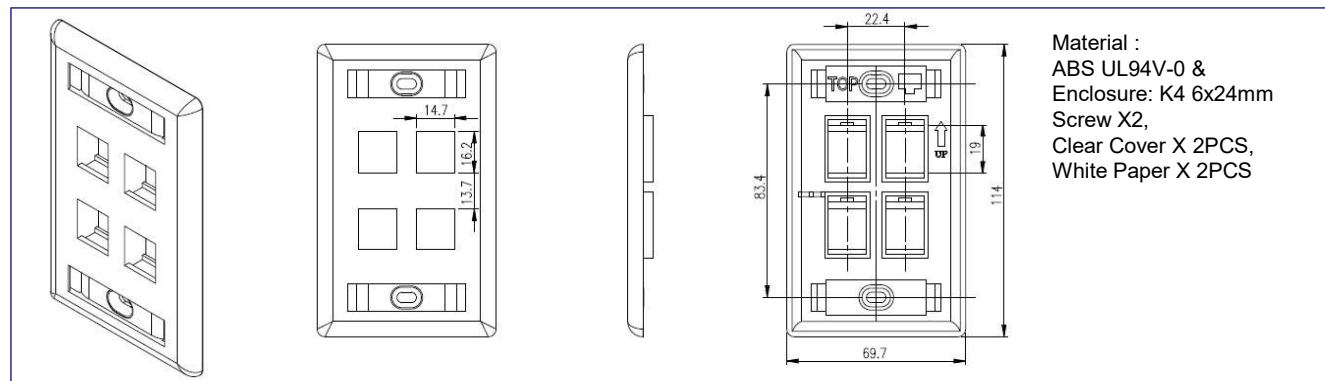
Material :  
ABS UL94V-0 &  
Enclosure: K4 6x24mm  
Screw X2,  
Clear Cover X 2PCS,  
White Paper X 2PCS

Description	Part Numbers	Compatible Items
1-port US type Single Gang Faceplate	LS-FP-US-1PORT	Back Box: LS-BB-11572-38



Material :  
ABS UL94V-0 &  
Enclosure: K4 6x24mm  
Screw X2,  
Clear Cover X 2PCS,  
White Paper X 2PCS

Description	Part Numbers	Compatible Items
2-port US type Single Gang Faceplate	LS-FP-US-2PORT	Back Box: LS-BB-11572-38



Material :  
ABS UL94V-0 &  
Enclosure: K4 6x24mm  
Screw X2,  
Clear Cover X 2PCS,  
White Paper X 2PCS

Description	Part Numbers	Compatible Items
4-port US type Single Gang Faceplate	LS-FP-US-4PORT	Back Box: LS-BB-11572-38